



SUMBERSIBLE SEWAGE PUMPS WQ-B SEIRES



APPLICATIONS

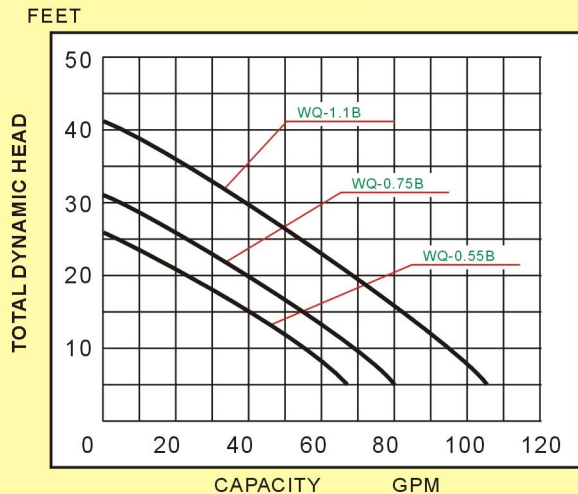
Non-clogging Submersible sewage pumps for simplex and duplex installations in small life stations, drainage systems or raw water applications, requiring solids handling capability of 1.5" diameter made specifically for: homes and farms; mobile home parks and motels; schools and hospitals; municipal package systems; industrial treatment systems; and dewatering applications.

Model	Power	Voltage	Amp.	RPM.	GPM at head(ft)							Max. Head	Discharge Solids	Weight
					10	15	20	25	30	35	40			
WQ-0.55B	0.75 HP	115V	7.2 A	3450	55	48	42	31	25	13	6	26 ft	1.5"	29 lbs
WQ-0.75B	1 HP	115V	9 A	3450	75	64	45	27	9			31 ft	1.5"	30 lbs
WQ-1.1B	1.5 HP	115V	15 A	3450	100	88	73	57	39	26	10	41 ft	1.5"	32 lbs

PARTS SPECIFICATIONS

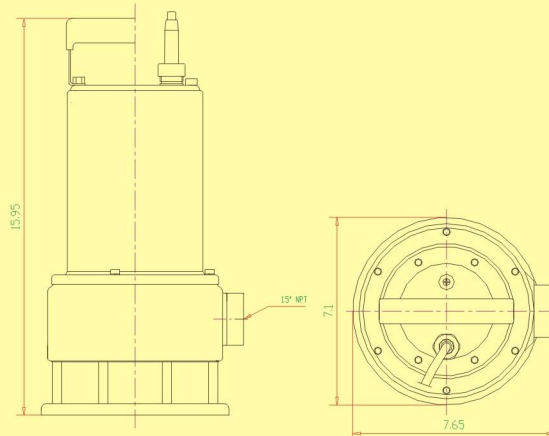
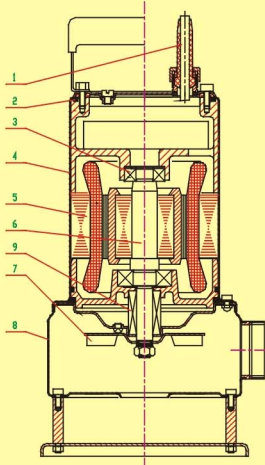
- Power Cable:** Water proof 30 ft. cord, pressure grommet for sealing and strain relief.
- O-ring:** Buna-N, assures positive sealing against oil leakage.
- Bearing:** Upper and lower ball bearing construction to carry all radial and thrust loads.
- Casing (Motor Housing):** Corrosion resistant AISI 304 SS designed for long lasting performance.
- Motor:** 2 poles, squirrel cage induction, air filled single phase, permanent split capacitor type, built-in thermal protector, with automatic reset.
- Shaft:** Corrosion resistance stainless steel.
- Impeller:** AISI type 304 stainless steel.
- Volute Casing:** Corrosion resistant AISI 304 SS. Designed for easy installation.
- Dual Mechanical Seals:** stainless steel metal parts, Buna-N elastomers.
Upper Seal: Carbon VS Ceramic
Lower Seal: Silicon Carbide VS Silicon Carbide

PERFORMANCE CURVE



DIMENSIONS

(All dimensions are in inches. Do not use for construction purpose.)



**DON NOT USE THIS PUMP TO TRANSFER FLAMMABLE LIQUIDS
THIS PUMP IS NOT RECOMMENDED FOR USE IN LOCATIONS SPECIFIED AS HAZARDOUS**